



WAS

wood

Aluminium

Steel

WAS was born in 2015 as an idea. The main idea of this partnership, which was carried out by Architect Güney Akgül and Engineer Gökalp Çayhan; to create a company that could see steel, wood and aluminium materials as a whole in special projects and offer solutions under a structure as design and application.

In 2019 they combined their more than 30 years of experience gained in their own companies in steel product by taking the representation of SECCO steel window and door products, an Italian design classic.

Our company invested in fully automated machinery from Italy and carried automation software systems from Germany into the country, taking into account the quality of production in the European norm. Our quality certificated with ISO 9001.

The partners, who have worked for 30 years without sacrificing quality and aesthetics, aim to further their vast experience and customer experience in this company. Our main goal is to become an organization capable of exporting to Europe, America and other countries. With this vision, we look to the future and plan our investments.



The most important feature of our company is that it can work with many brands. Every project need different solutions and details because of that the best solution and brand always change depends on project. A brand may sometimes not be successful in every product. Because of that we combined systems and brand sometimes.

You need to be creative even within these options. It can also be used without any problems. it is also important to. We always work for it. Our customer has dreamed something, It is important for us that the product is close to its dreams even possible.

Aluminum is lightweight material and structurally reliable. Therefore, in many applications we prefer.

Our solution partners ;

Steel System Partners



Minimal Aluminium System Partners



Aluminium System Partners





EDI CLASSIC 30 MINIMAL SLIDING

- 18 mm VERTICAL SECTION
- 6.5 m² SASH AREA
- 30 mm MAXIMUM GLAZING
- Insect Screen option
- Zero Threshold options
- Textured or satin paint

Edi Minimal is the thinnest section sliding system in the world with 18 mm middle vertical section.

It is designed to close magnificent spaces with incredible thin lines.

It provides a smooth water flow with the sill system that can be completely buried in the ground and the stainless steel water drainage system.

With the ball carrier system, the wings slide on the rails.

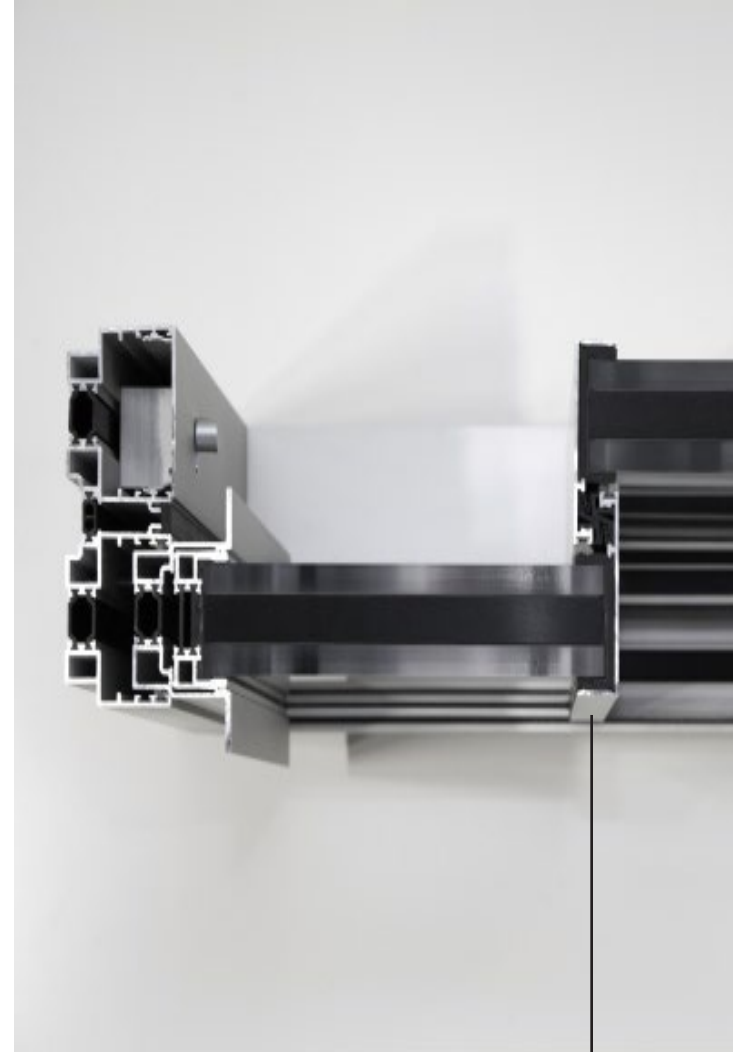
If you have a chance to create a parking area in your project, you can completely hide the sashes.

Today, it is one of the most important objects is window and door for modern houses.



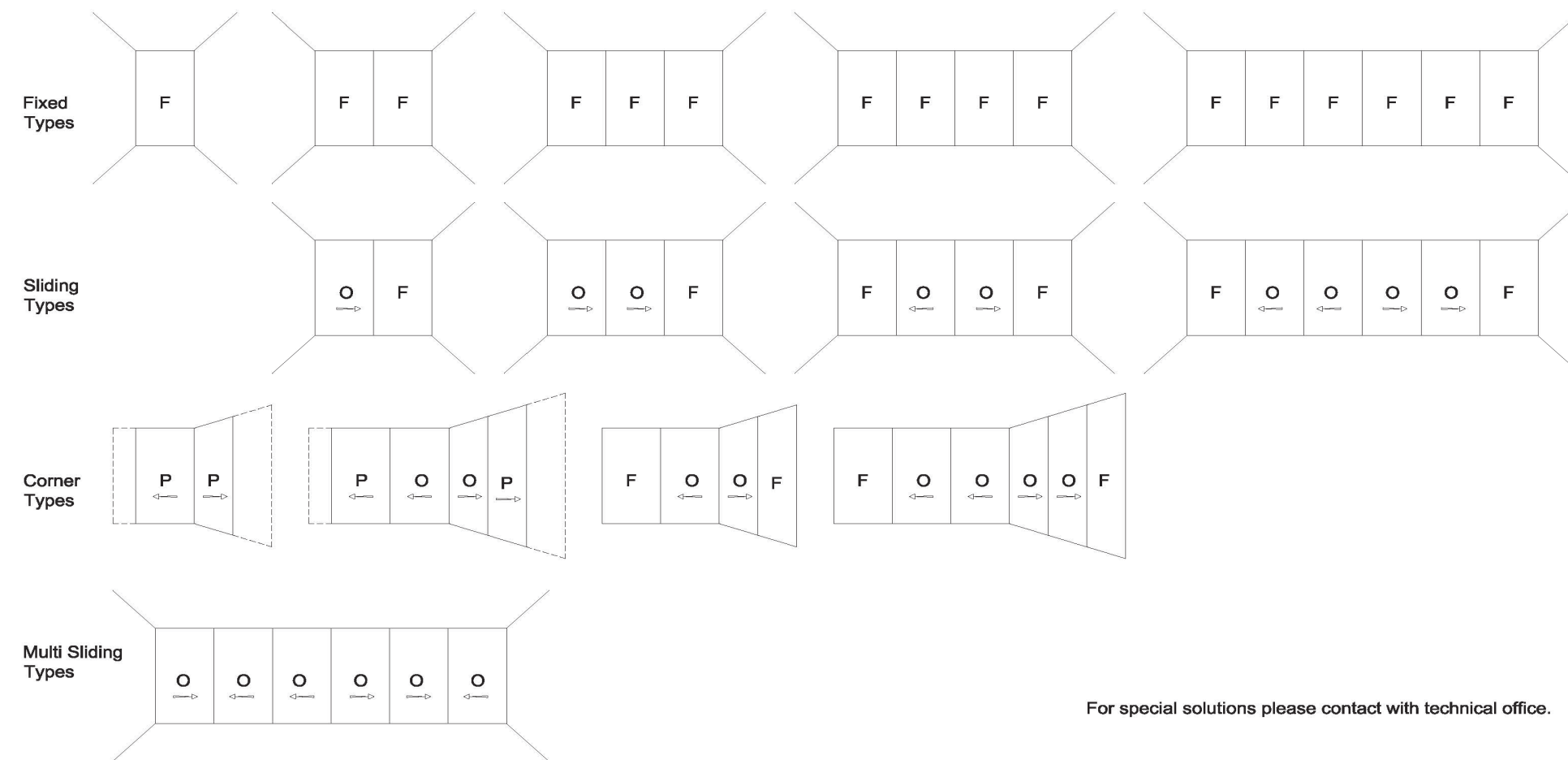
WAS EDI CLASSIC 30 MINIMAL SLIDING DOOR

The meaning is bigger glass space and minimal sections with zero treshold. We love it also you love it!



**WORLD
THINNEST
18mm**

OPENING TYPES



For special solutions please contact with technical office.



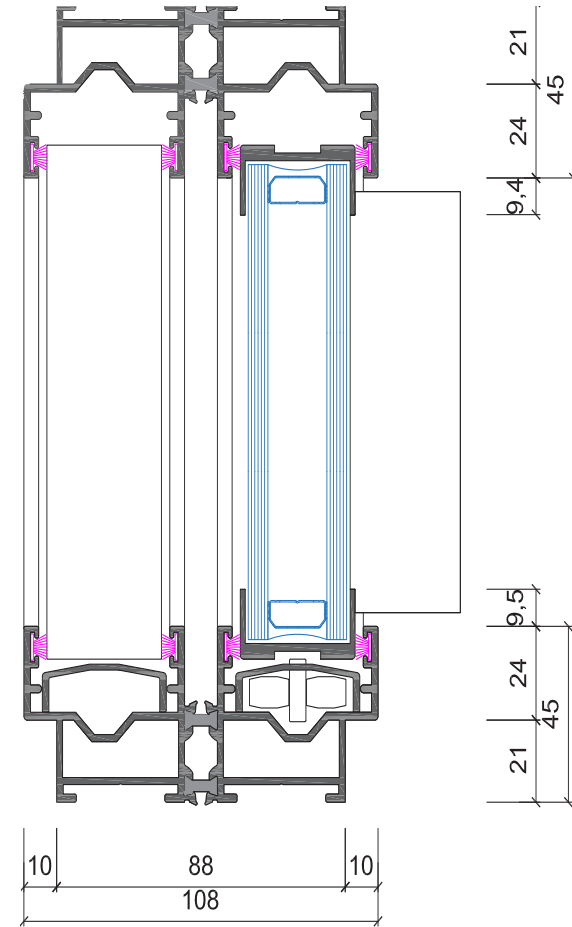
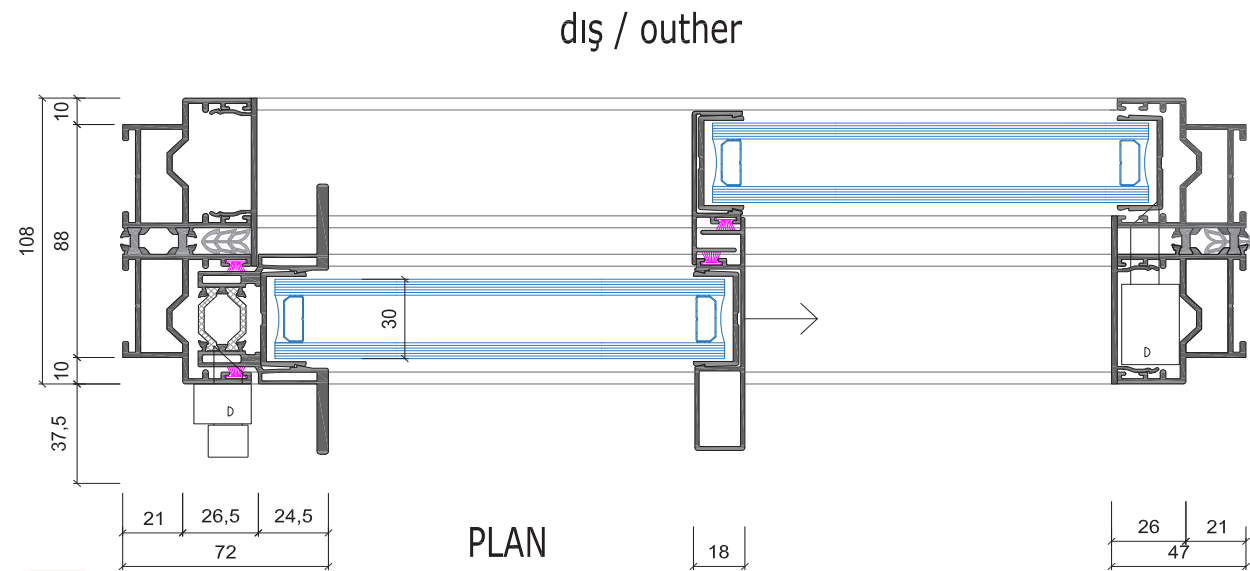
DETAILS & PERFORMANCE

Plan and section details metric system - mm.

CE Performance Report

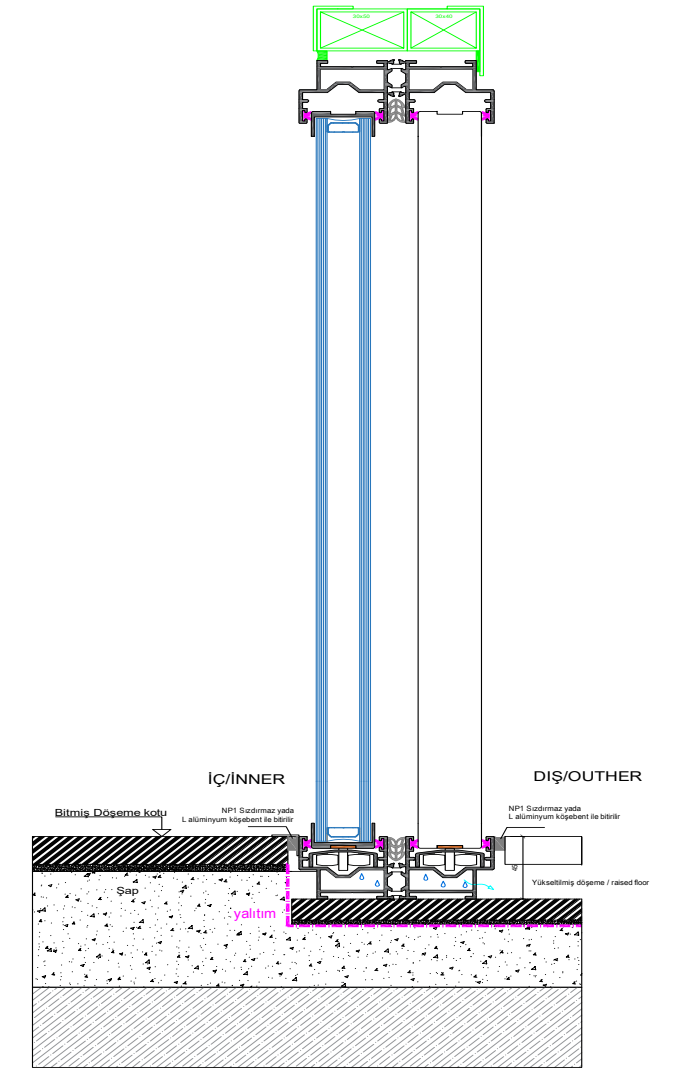
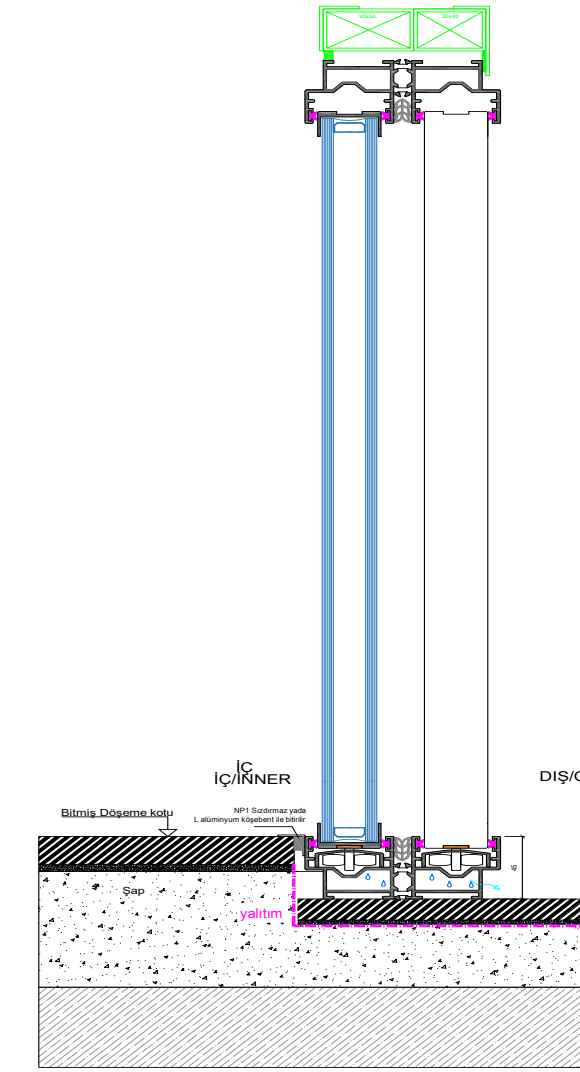
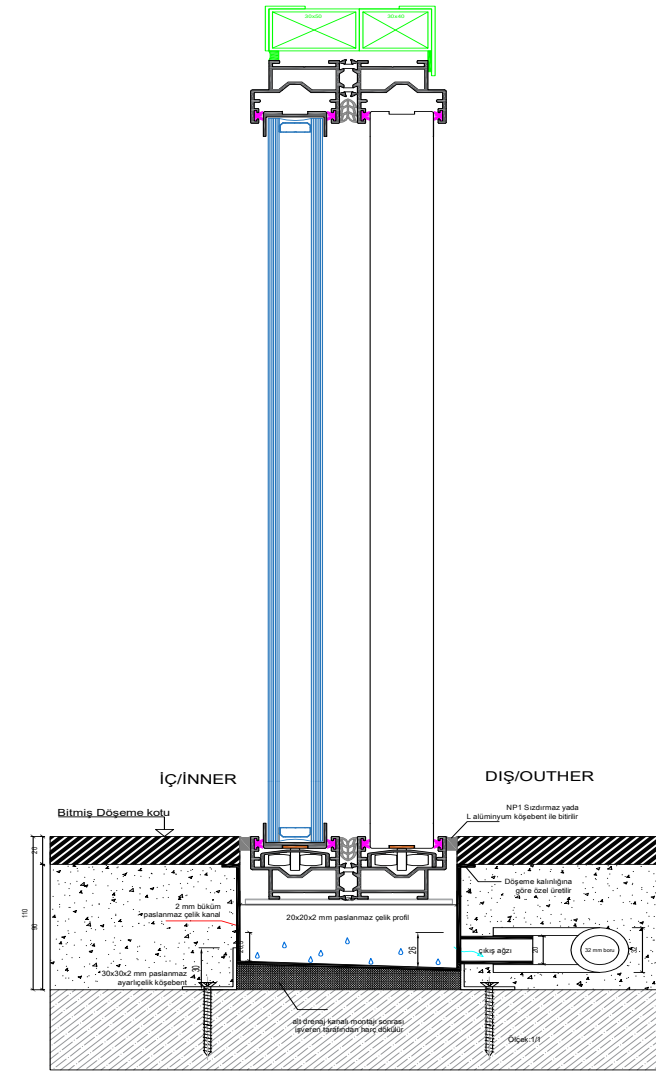
Report No : 20/01-A013-B1
 Reporter : Pfb GmbH & Co. Prüfzentrum für Bauelemente KG AG

Air Permeability : 4 EN 1026 - 600 PA
 Water tightness : 5A EN 1027 - 600 PA
 Res. wind load : C3 / BS EN12211



TRESHOLD TYPES

Different types of treshold





EDI MINIMAL







EDI MINIMAL



EDI MINIMAL

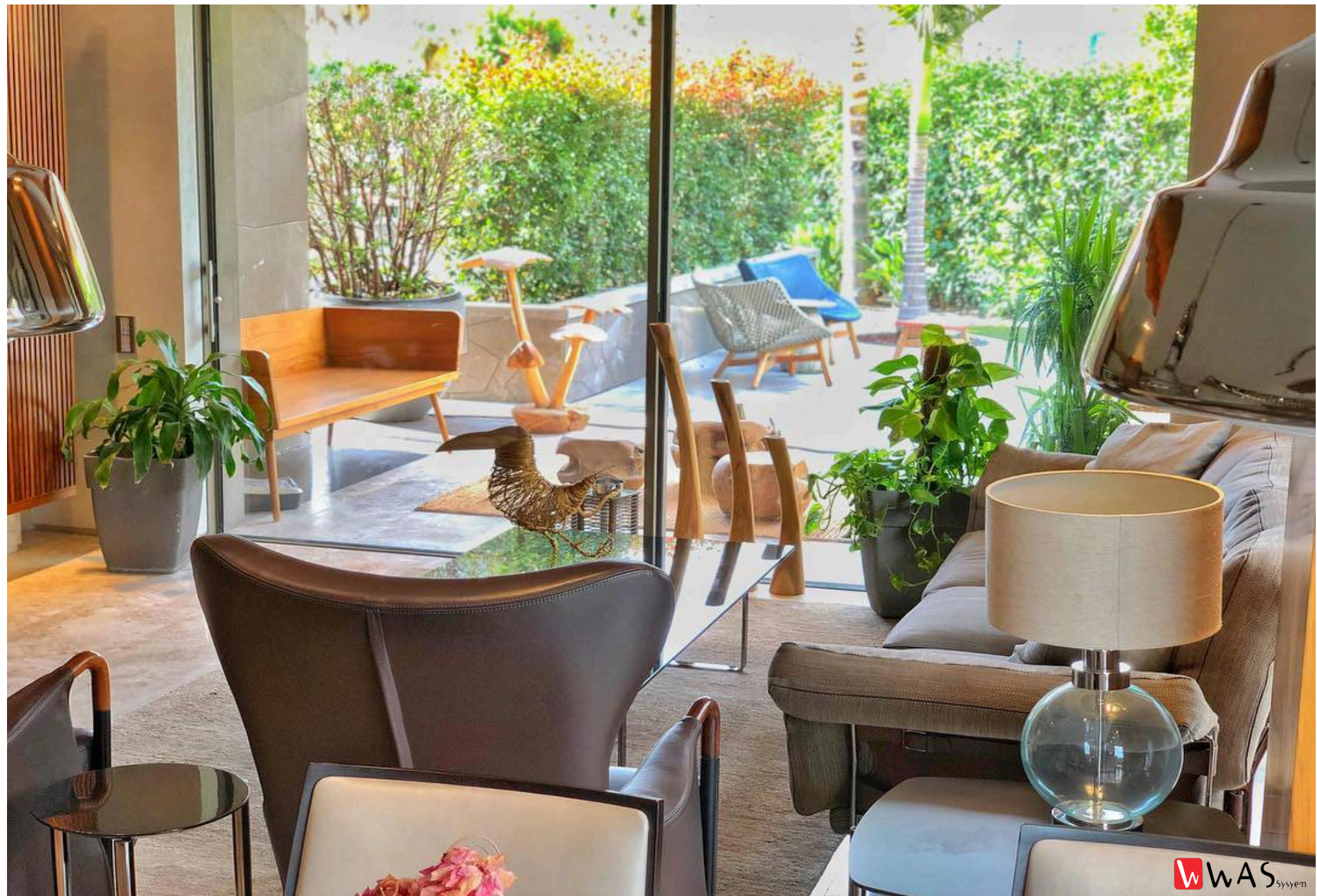


EDI MINIMAL



EDI MINIMAL

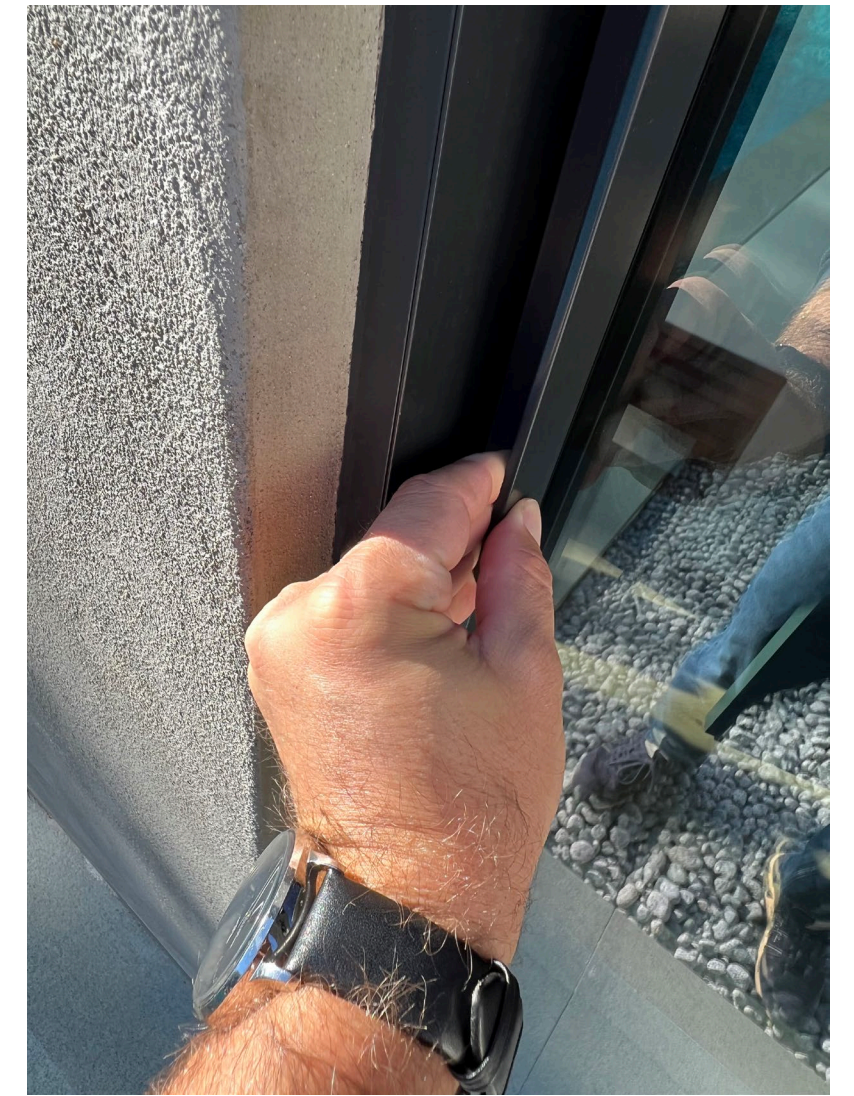












EDI MINIMAL



3 Galvanize çelik boyalı



EDI MINIMAL

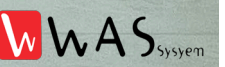






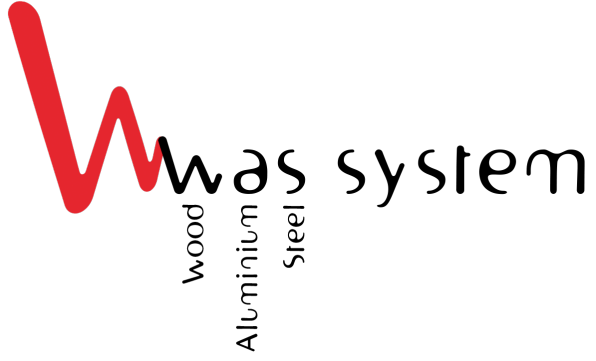


EDI MINIMAL



EDI MINIMAL





WAS İnşaat Sanayi ve Ticaret A.Ş.

Cihangir Mah. Güvercin Cad. Baha İş Merkezi B blok Kat 2

Avcılar / İstanbul - Türkiye

Tel: +90 212 422 87 83

Fax: +90 212 422 87 47

E Mail : info@was.com.tr

Web : www.was.com.tr

Instagram : <https://www.instagram.com/wassystem/>

Pinterest : <https://tr.pinterest.com/wassystem/>

Facebook : <https://www.facebook.com/wassistem>