



WAS

wood

Aluminium

Steel

STEEL SLIDING
PRODUCTS

www.was.com.tr

Slide

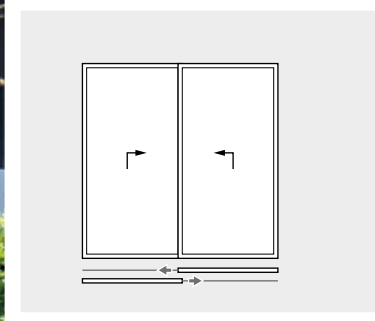
Moving to the side, sliding something away are natural gestures to get rid of what is in front of us, opening a door doesn't give the same sensation as sliding it. Secco is emotion oriented and culturally inclined to recognize the expressive value of matter: brass, corten, galvanized and stainless steel. Secco sliding doors are born from the union between matter and emotions, where the profiles reveals their quality and beauty.

The high sealing performance of the lift and slide doors can be achieved thanks to the resistance of the materials used and the vertical closing movement that allows the gaskets to close firmly to the floor and to the entire opening perimeter, a difficult but concrete choice. Secco offers two series of profiles, OS2 (awarded Compasso d'Oro) and EBE, both of which adopt the traditional wheel movement system and the futuristic magnetic levitation ØG®, patented by Secco Sistemi





De Vere Garden - London
arch. David Chipperfield



lift and slide door OS2

minimal lines and precious materials for the lift and slide door made with the OS2 system, a Compasso d'Oro awarded. OS2 allows you to create sliding doors both with the traditional sliding on wheels system and with the futuristic ØG® magnetic levitation.

The visible sections, just 47 mm, are constant along the entire perimeter of the frame which can be made in the precious Secco finishes: brass, corten, stainless steel and painted steel. The maximum dimensions of the door are 3 meters high with weights up to 1000 kg.

Thanks to the perimeter gasket system that uses the weight of the door for closing, the water and air tightness (certified by the most prestigious European testing centers) is very high.

PERFORMANCE

wind resistance - test pressure	3
wind resistance - frame bending	B
water tightness	5A
thermal transmittance (with Ug glass 0,6 W/m2K)	1,0 W/m²K
air permeability	4

maximum achievable performance



OS2 lift and slide door in wheels in burnished brass with triangular glazing bead internal view

lift and slide door

EBE

the lift and slide doors fabricated using the EBE system can have considerable dimensions, up to 3,5 meters in height, with a maximum weight of 1500 kg.

EBE allows you to create lift and slide doors both with the traditional system sliding on wheels and with the futuristic ØG® magnetic levitation.

EBE maintains the design prerogatives of Secco, proposing the precious finishes, brass - corten - stainless steel - galvanized steel and constant profiles throughout the visible perimeter of the door. The certified sealing performance is distinguished by the high acoustic and water resistance, unique of their kind for this type of opening.

PERFORMANCE

wind resistance - test pressure	3
wind resistance - frame bending	C
water tightness	8A
acoustic performance (with Rw per IGU 52 dB)	43 (-1;-4) dB
thermal transmittance (with Ug glass 0,6 W/m²K)	1,0 W/m²K
air permeability	4
break-in resistance	(RC)2

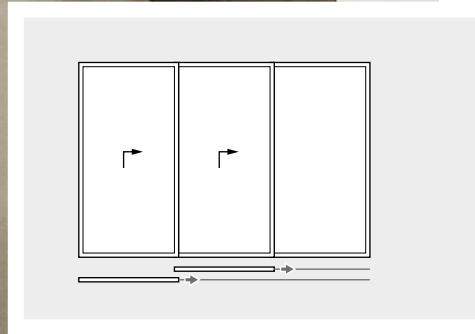
maximum achievable performance



EBE Zero Gravity lift and sliding door in burnished brass external view

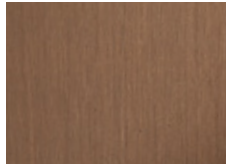


Villa Alps - Brescia
arch. Camillo Botticini ABDA



finishes

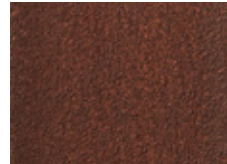
the EBE and OS2 lift and slide doors can be made in the following fine finishes.



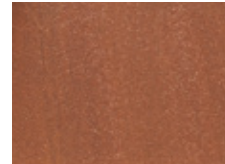
patinated OT67
brass



satin-finished OT67
brass



waxed oxidized
corten steel



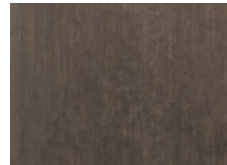
oxidized corten
steel



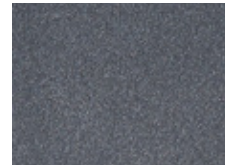
polished 316L
stainless steel



satin-finished 304
stainless steel



burnished 316SB
stainless steel



painted galvanized
steel

handles

elegant and discreet accessory, with slight and linear profiles, the Secco handles integrate perfectly with the frame and are produced in the same precious materials and finishes of the profiles.



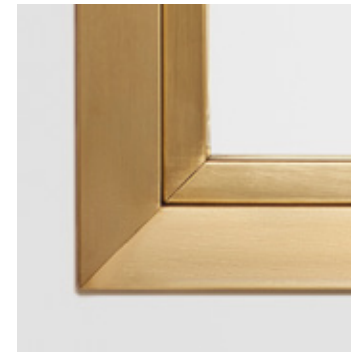
ovolo



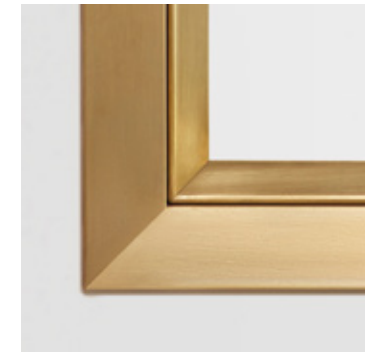
vitruvio
rounded

glazing beads

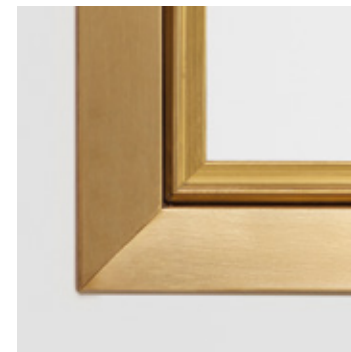
glazing beads are design elements made with the same materials and finishes as the window frame. Their shape and their size, compared to the section of the profile, are variants that can have different combinations and can change the perception of the space occupied by the window. The fastening of the glazing bead on the leaf is always concealed.



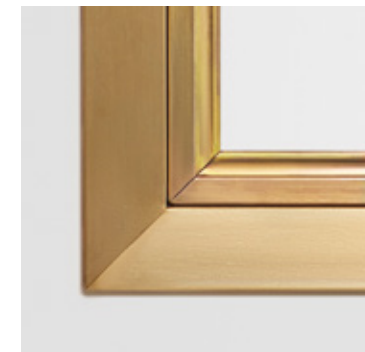
squared



triangular



thin

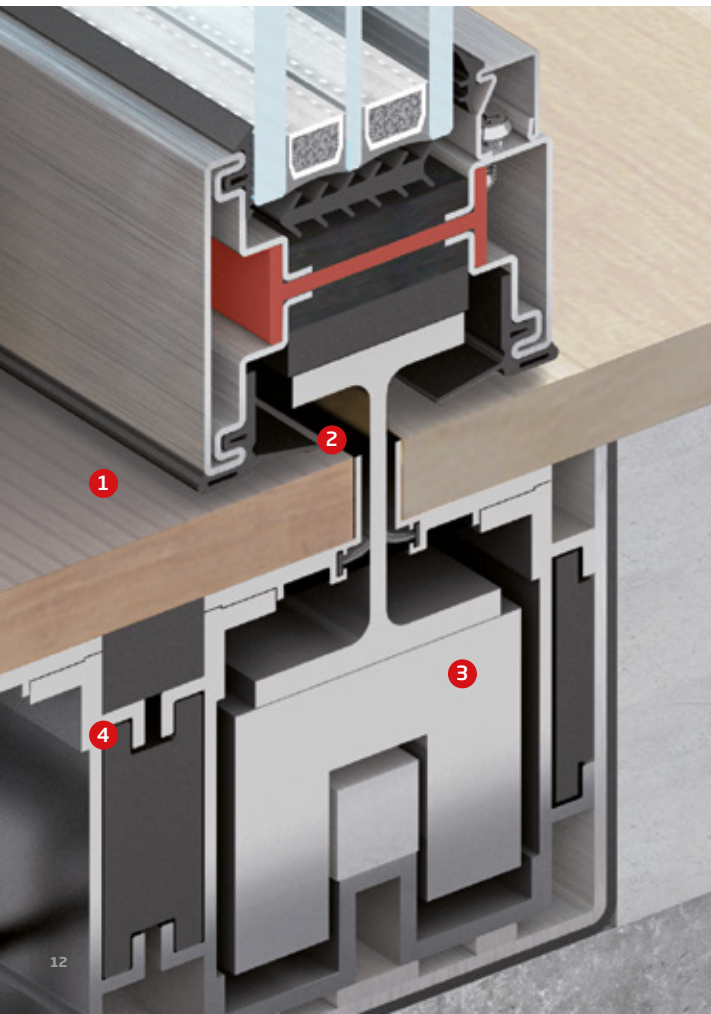


rounded square

handling

ØG® magnetic levitation

the innovative ØG® system allows you to manually move lift and slide doors up to 1500 kg thanks to magnetic levitation. The powerful of Ironlev® magnetic levitation skids, allowing the door to slide with extreme ease, even with very heavy weights, floating in the air as if it were free of gravity. It is possible to combine the system with Secco Sistemi's Meccatronica lifting and sliding motorizations.



- 1 floor; continuity between inside and outside and without obstacles
- 2 sliding loop-hole
- 3 Ironlev® magnetic levitation skid
- 4 levitation group without electricity without induced magnetic field

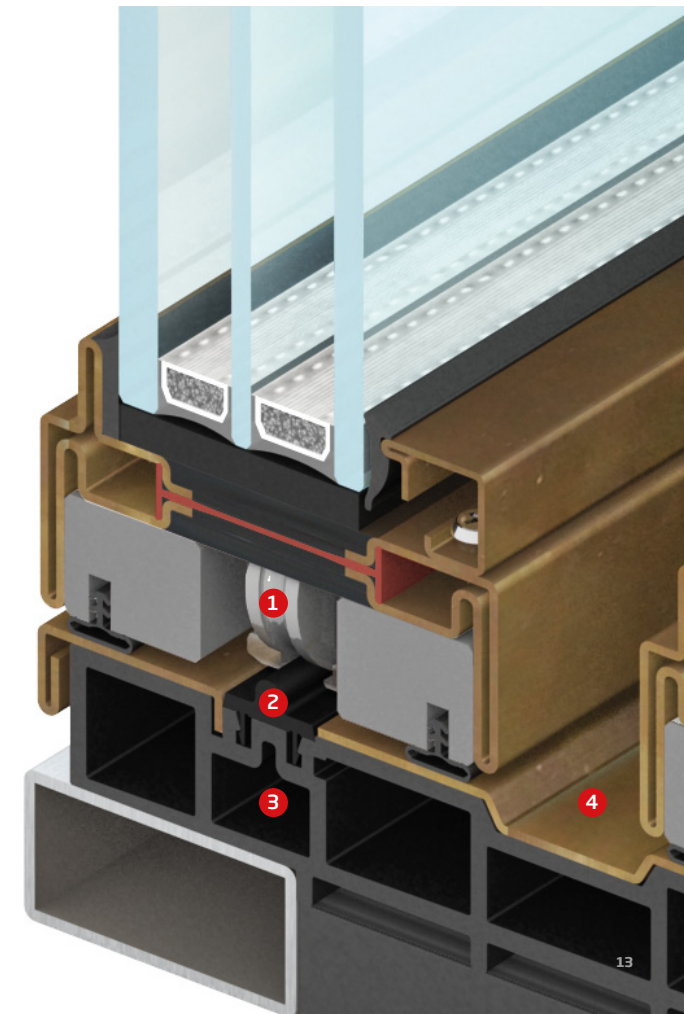
example with EBE system

handling

traditional on WHEEL

traditional movement of the doors with lifting and sliding system on wheels. The system is operated by the handle that allows you to manually lift the door up to 600kg and move it by pushing. The wheels run along a small track integrated in the threshold, it is possible to combine the system with Secco Sistemi's Meccatronica motors for lifting and sliding.

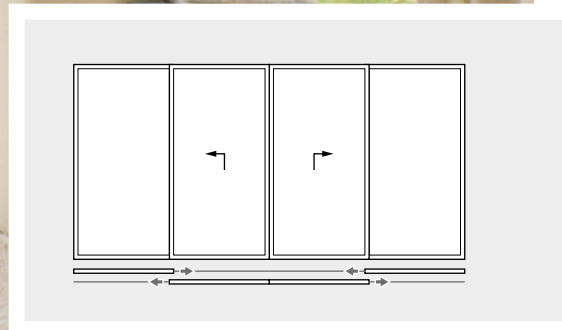
- 1 wheel system for raising and sliding the door
- 2 integrated track into threshold
- 3 water drainage system
- 4 cladding of the threshold in the same finishes as the profiles



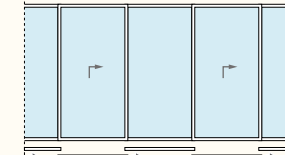
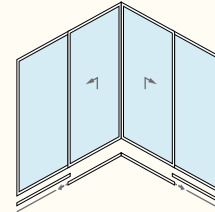
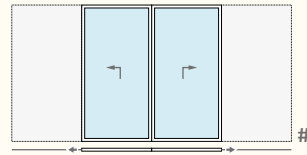
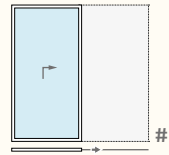
example with OS2 system



Villa Idaho - Idaho (USA)
arch. Jarvis Group



1-track geometries



openable surface

100%

100%

50%

50%

OS2 75

max base (mm)

1500

3000

◇

1500 (door)

max height (mm)

2900

2900

◇

2900

ØG (magnetic levitation) load (kg) for each door

1000

1000

◇

1000

sliding on wheel load (kg) for each door

250

250

◇

250

EBE 85

max base (mm)

2200

4400

6400

1600 (door)

max height (mm)

3400

3400

3400

3400

ØG (magnetic levitation) load (kg) for each door

1500

1500

◇

1500

sliding on wheel load (kg) for each door

600

600

400

600

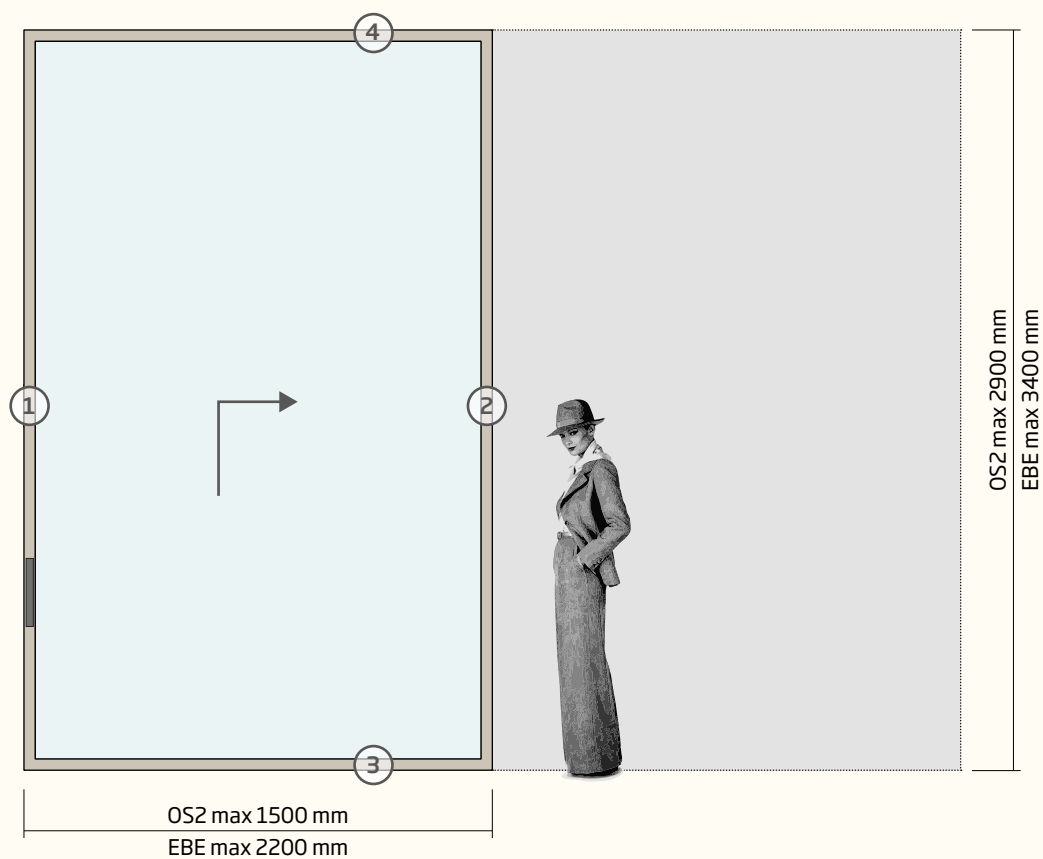
◇ - unavailable
- concealed within the wall

1-track type sections

the types of lift and slide opening with a single track are among the most spectacular; concealed, coaxial, corner doors and the infinite series of continuous doors.

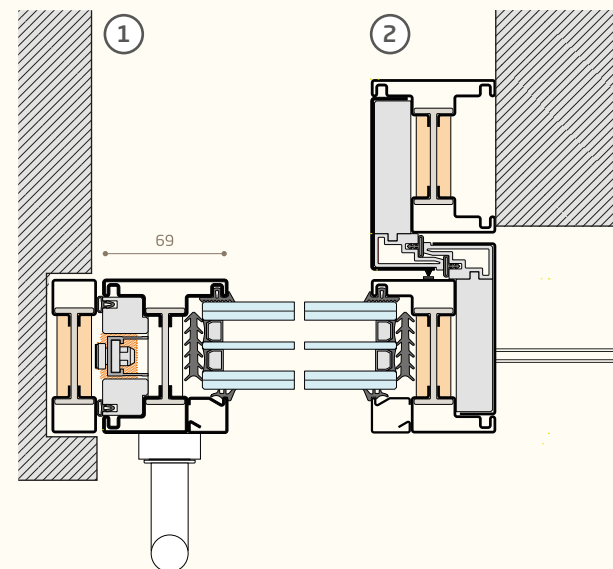
The 1-track sliding lift can be made both with the OS2 system and with EBE and moved with magnetic levitation or wheel.

The system can be motorized with Secco's Meccatronica system.



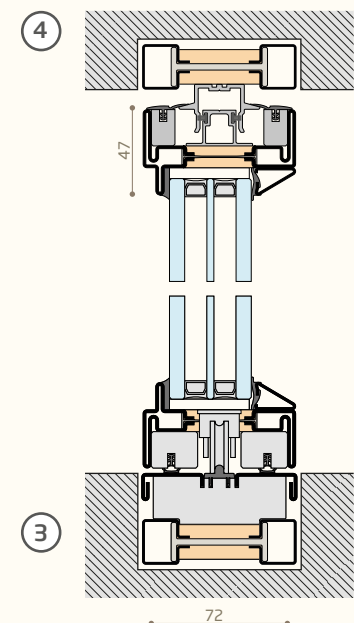
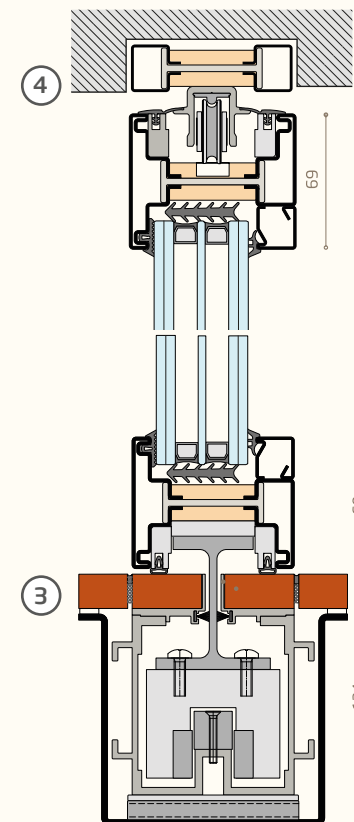
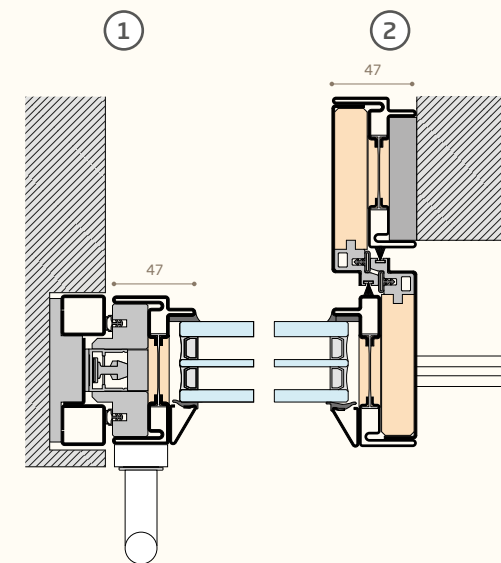
ØG® magnetic levitation

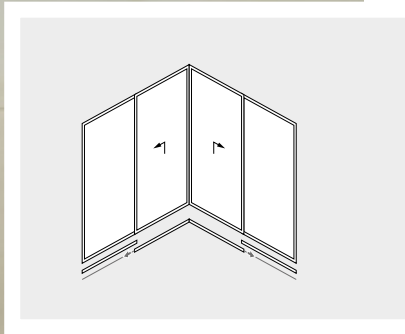
example with EBE system, also available with OS2 system



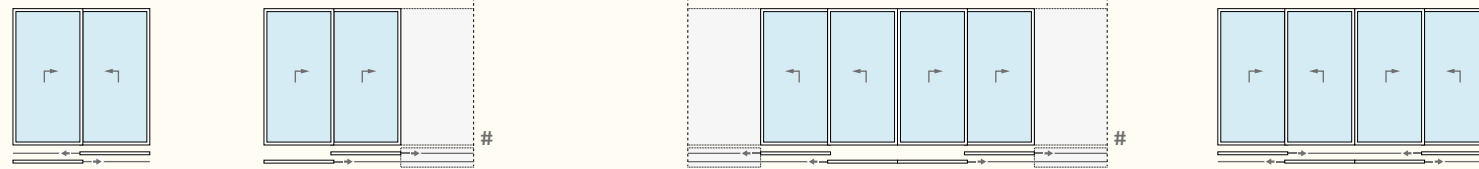
wheels in line

example with OS2 system, also available with EBE system





2-track geometries



	openable surface	50%	100%	100%	50%
OS2 75	max base (mm)	3000	3000	6000	6000
	max height (mm)	2900	2900	2900	2900
	ØG (magnetic levitation) load (kg) for each door	1000	1000	1000	1000
	sliding on wheel load (kg) for each door	250	250	250	250
EBE 85	max base (mm)	4400	4400	8800	8800
	max height (mm)	3400	3400	3400	3400
	ØG (magnetic levitation) load (kg) for each door	1500	1500	1500	1500
	sliding on wheel load (kg) for each door	600	600	600	600

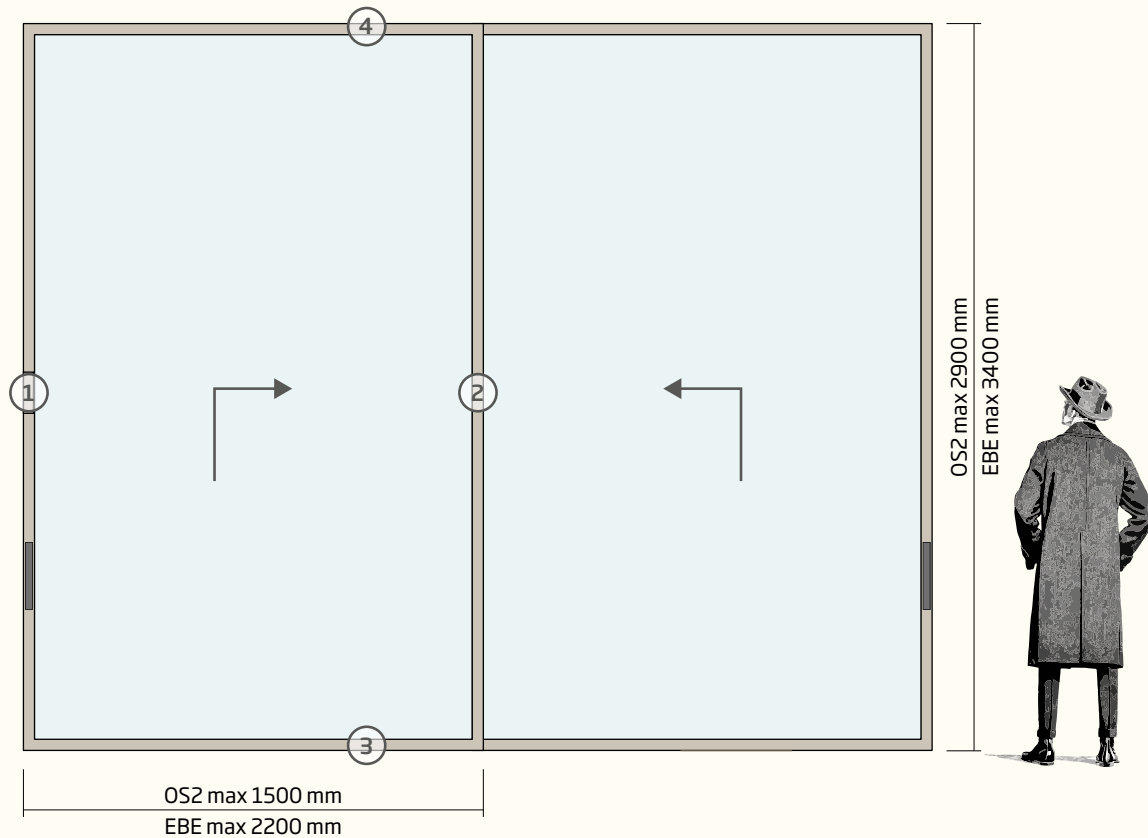
- concealed within the wall

2-track type sections

the 2-track solution is the most used in architectural projects because it allows for the creation of large openings up to about 10 meters in length with extreme construction ease.

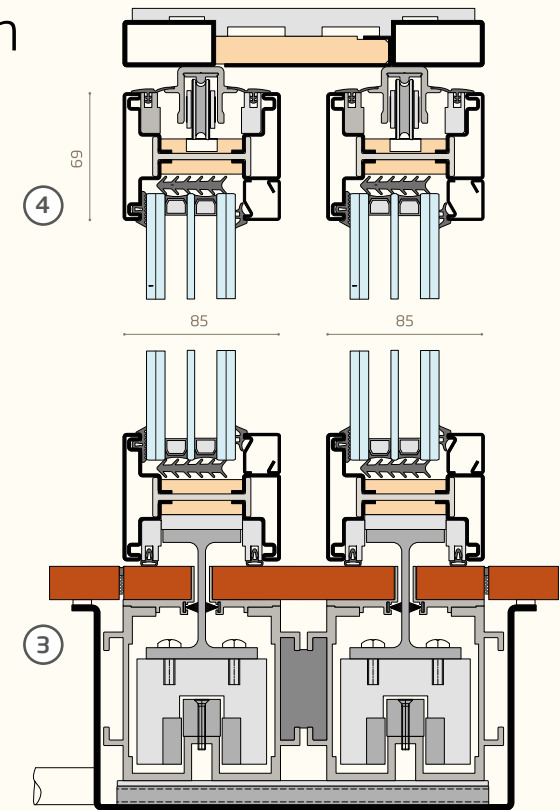
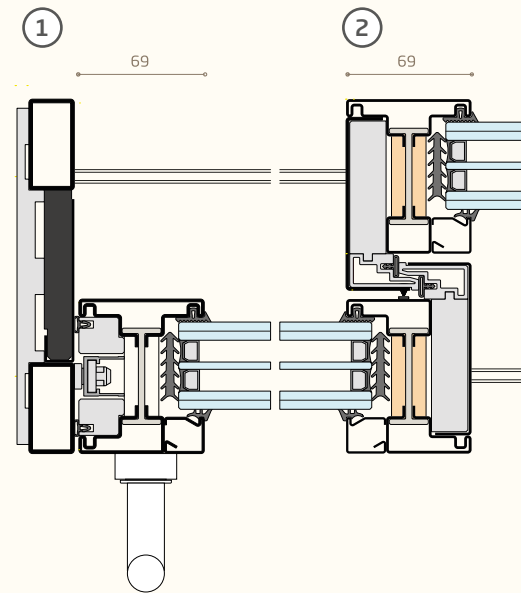
The 2-track lift and slide door can be made both with the OS2 system and with EBE and moved with magnetic levitation or wheel.

The system can be motorized with Secco's Meccatronica system.



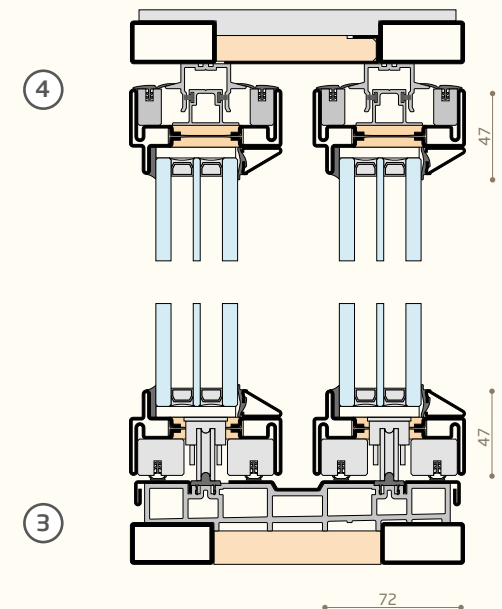
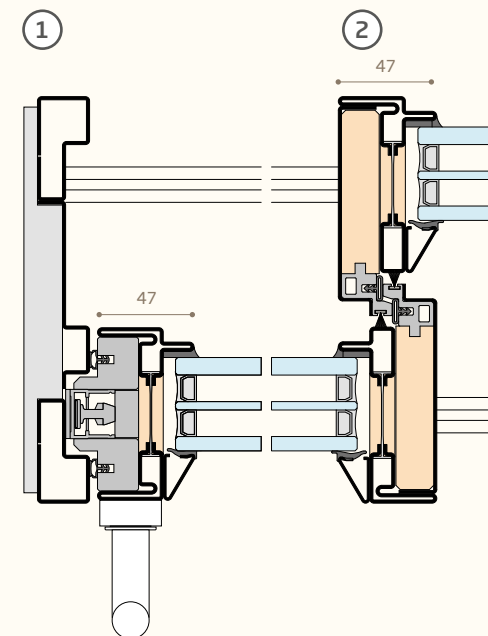
ØG[®] magnetic levitation

example with EBE system, also available with OS2 system



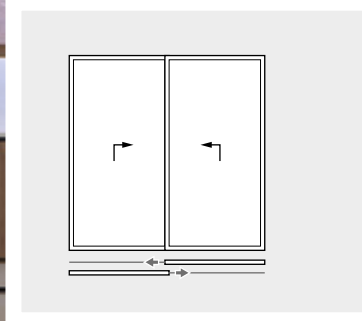
wheels in line

example with OS2 system, also available with EBE system

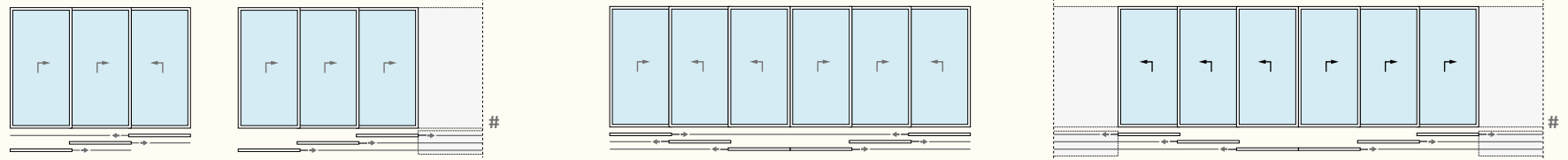




Villa Torre Ed - Lecce
arch. Zanaroli



3-track geometries



	openable surface	65%	100%	65%	100%
OS2 75	max base (mm)	4500	4500	9000	9000
	max height (mm)	2900	2900	2900	2900
	ØG (magnetic levitation) load (kg) for each door	1000	1000	1000	1000
	sliding on wheel load (kg) for each door	250	250	250	250
EBE 85	max base (mm)	5700	5700	11400	11400
	max height (mm)	3400	3400	3400	3400
	ØG (magnetic levitation) load (kg) for each door	1500	1500	1500	1500
	sliding on wheel load (kg) for each door	600	600	600	600

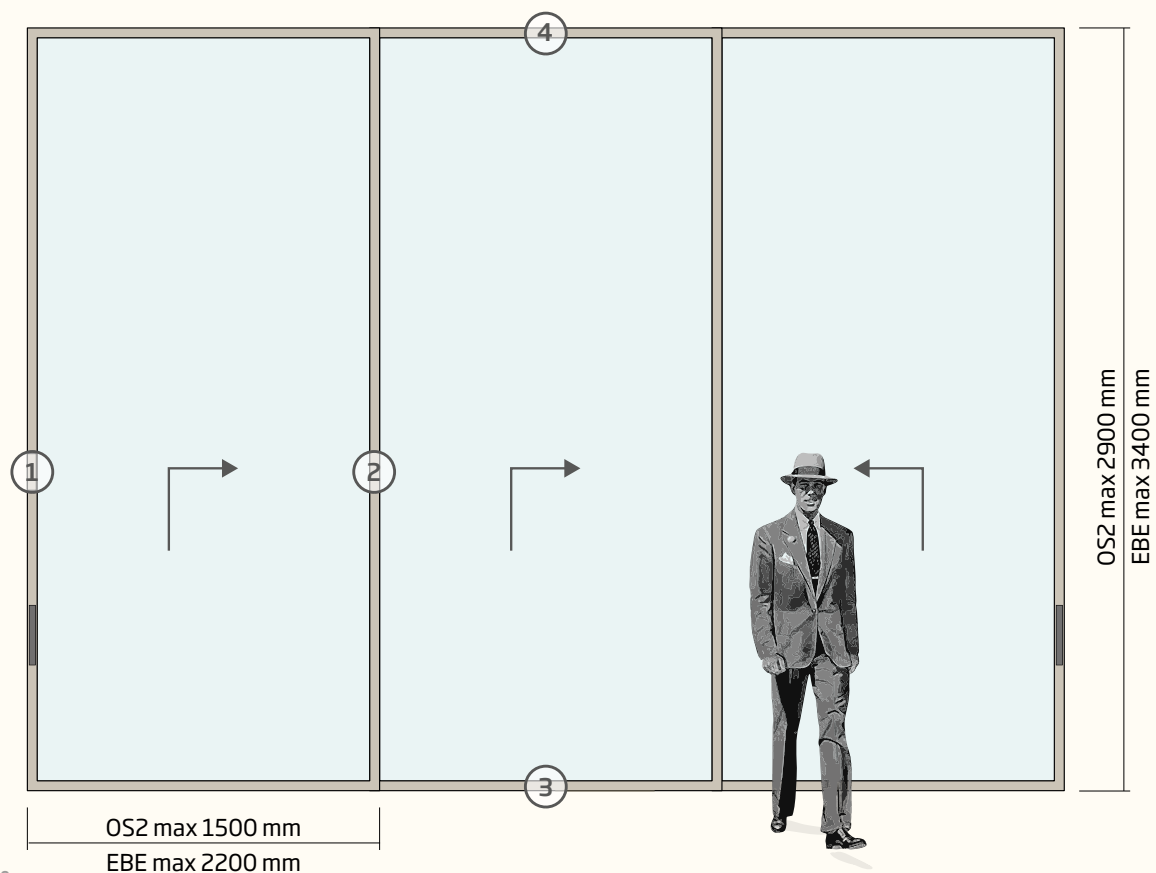
- concealed within the wall

3-track type sections

the scenographic and elaborate 3-track solution makes it possible to create new openings, over 10 meters in length, large openings while always maintaining high sealing and insulation performance.

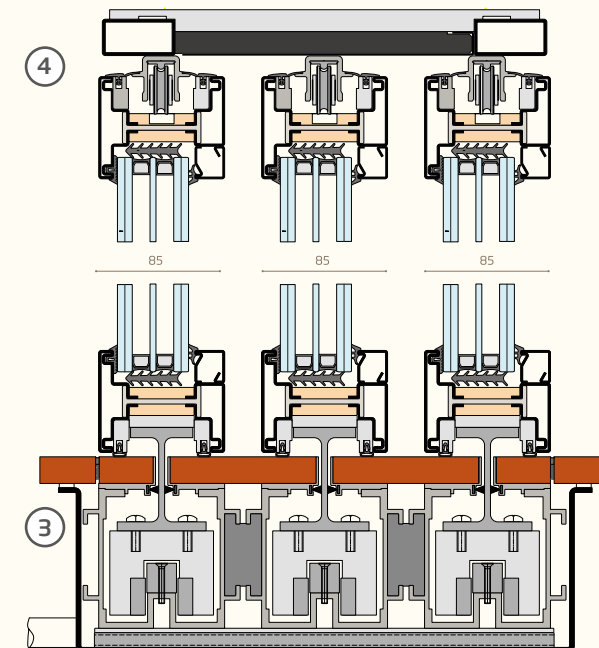
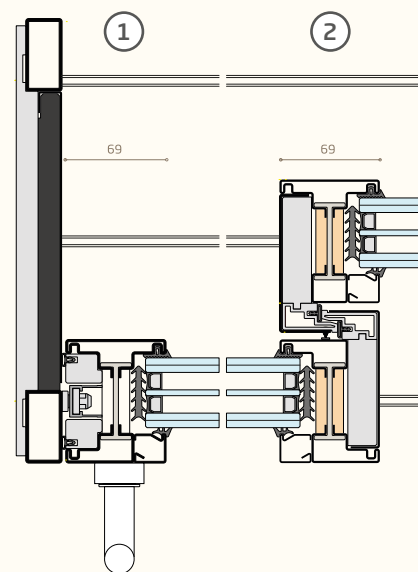
The 3-track lift and slide door can be made with the OS2 or EBE system and moved with magnetic levitation or wheel.

The system can be motorized with Secco's Meccatronica system.



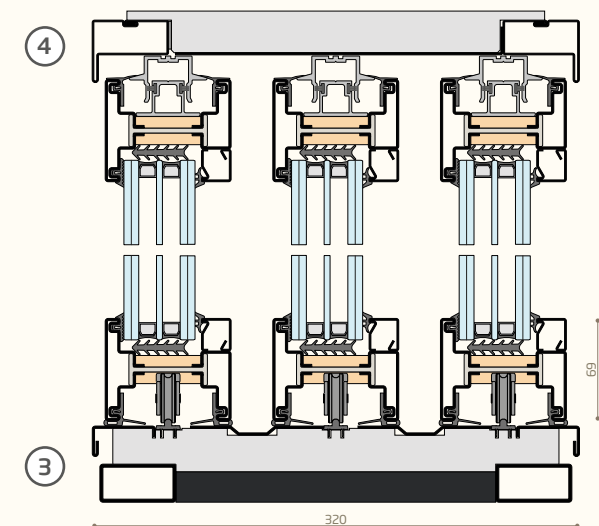
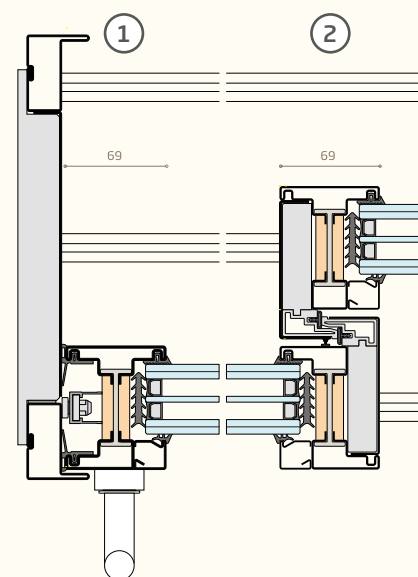
ØG® magnetic levitation

example with EBE system, also available with OS2 system



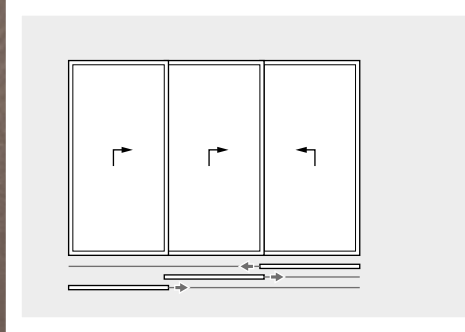
wheels in line

example with EBE system, also available with OS2 system



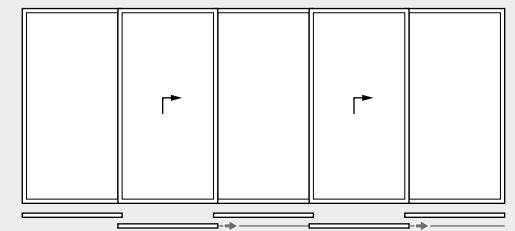


Villa Moruzzo - Udine
arch. Franzolini





H Farm - Venezia
arch. Zanon





Secco Sistemi is an Italian brand that symbolises innovation and design awarded with “Compasso d’Oro”. It has been contributing to the evolution of the engineering of doors and windows for 70 years, inventing systems and profiles that have become benchmarks for the industry of this sector, and continuing to improve them and interpret the latest projects and trends of contemporary architecture. So far 340 profiles have been developed in 4 select metals - galvanised steel, stainless steel, corten steel and brass - and in 9 different finishes with an annual production of 2.8 million linear metres of profiled bars for 280,000 doors and windows.



Wood Aluminium Steel Systems

WAS inşaat ve Sanayi Ticaret A.Ş.

Cihangir Mah. Güvercin Cad. Baha İş Merkezi

B blok Kat 2 Avcılar - İstanbul / Turkey

+90 212 422 87 83

www.was.com.tr